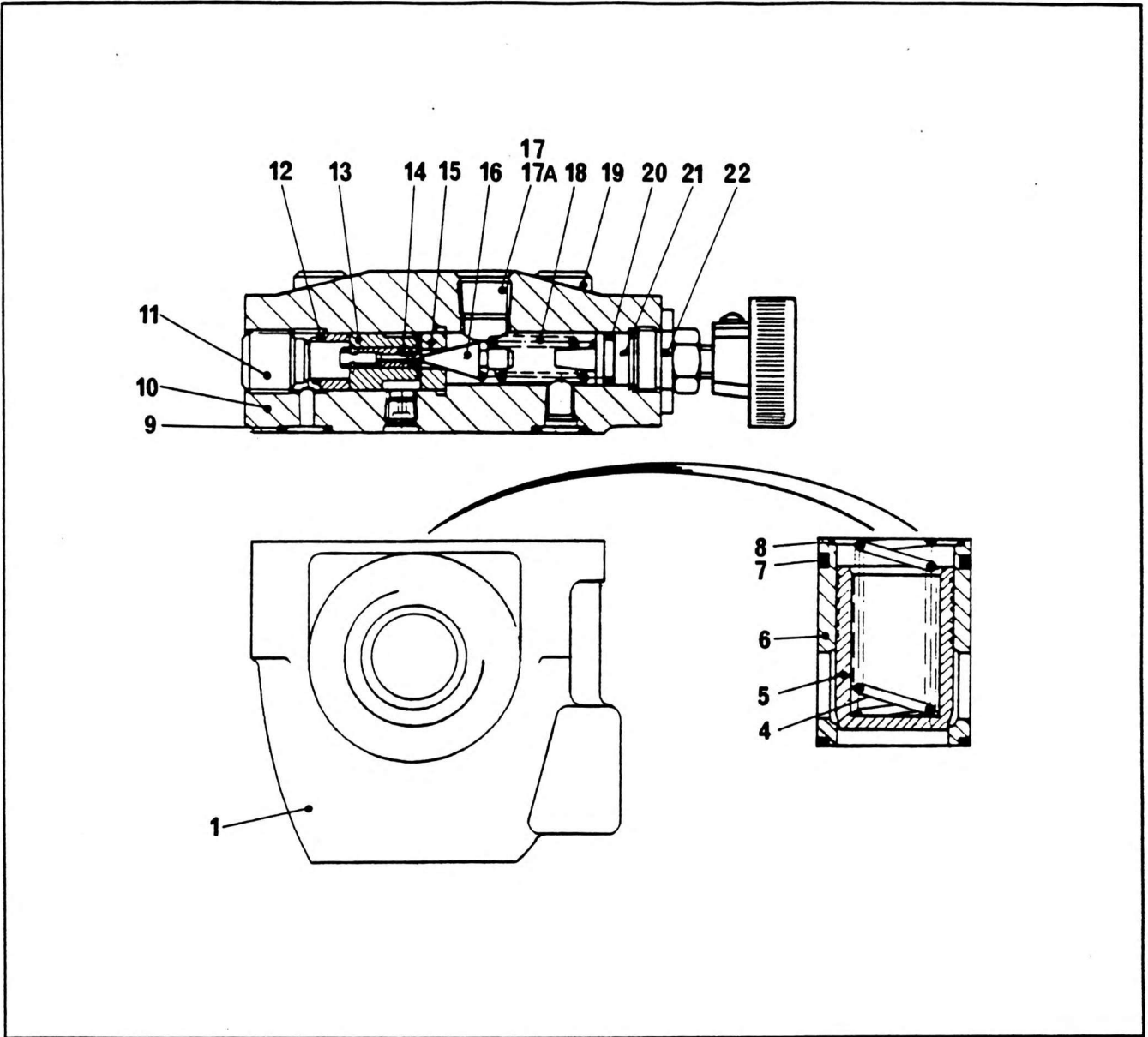


PRESSURE RELIEF VALVE



NO.	PART NO.	QTY.	DESCRIPTION	NO.	PART NO.	QTY.	DESCRIPTION
-	7-926-990525	1	Complete Assembly	13@	8772757	1	Plug Orifice
*	9-926-108616	1	Repair Kit (Main Body)	14@	8772758	1	Control Piston
@	9-926-108617	1	Repair Kit (Top Cap)	15@	723130	1	Seat
-	9-926-108618	1	Seal Kit (Threaded Body)	16@	723731	1	Cone
1	8392849	1	Body	17	9-926-108612	1	Plug
4 *	723727	1	Spring	17A-	9-926-108613	1	Gasket
5 *	9-926-108611	1	Piston	18@	9-926-108614	1	Spring 210 Bar
6 *	723728	1	Sleeve	19	8772756	4	S.H.C. Screw
7 -	8772762	2	'O' Ring	20-	721928	1	'O' Ring
8 -	8772761	1	'O' Ring	21	8772760	1	Seal Piston
9 -	9-926-990122	2	'O' Ring	22	9-926-108615	1	Knob (50mm Dia.)
10	8772754	1	Cap				
11	8780704	1	Set Screw				
12	8772755	1	Spacer				

7-926-990525
Issue No. 00